

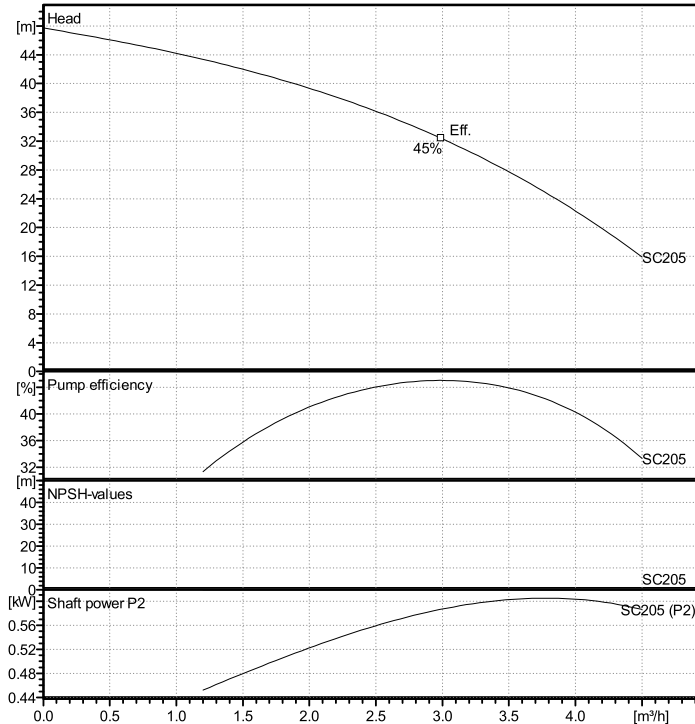
## SC 205C 01

Company	Customer	Date	12/3/2018
Contact	Contact	List price	Price on req.
Project	Phone number	Family code	
Project no.	Email	Item no.	

Performance according to ISO 9906:2012 – Grade 3B

Power data referred to:

Water [100%] ; 4°C; 1000kg/m<sup>3</sup>; 1.57mm<sup>2</sup>/s



### Operating Data Specification

Flow	0 m <sup>3</sup> /h
Head	0 m

### Hydraulic data (duty point)

Flow	
Head	
Power input	

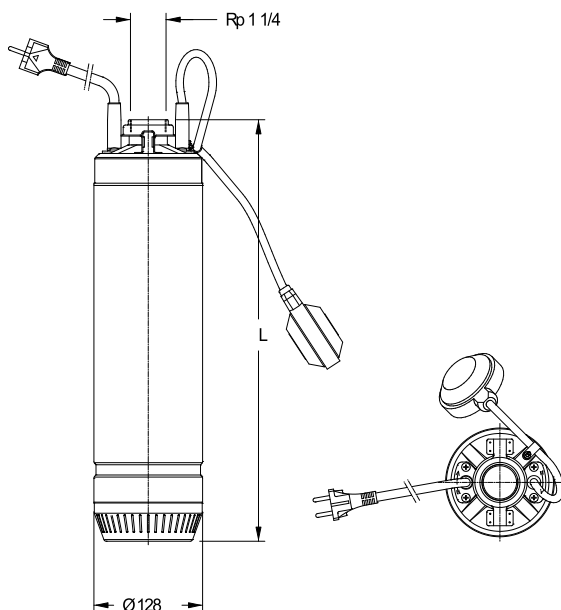
### Pump data

Make	Lowara
Type	SC 205C 01 5" borehole/well pump
Speed	2900
Head H(Q=0)	47.7 m
Suction side	
Discharge side	
Types of installation	Close coupled
Weight	13.5 kg

### Materials / seals

Sleeve with head	Stainless steel
Upper bearing support	Stainless steel
Sleeve with wound stator	Stainless steel
Strainer	Stainless steel

Shaft Seal



### Motor data

Rated power P2	0.55 kW	Nom. Speed	2840 rpm
Frequency	50	Phase	1~
Rated voltage	230 V	Rated current	4.37 A
Protection class	IP X8	Insulation class	F
Permitted voltage tolerance +/- 10%			

### Dimensions mm

L	526		
---	-----	--	--

Note: